








H190

Technical data



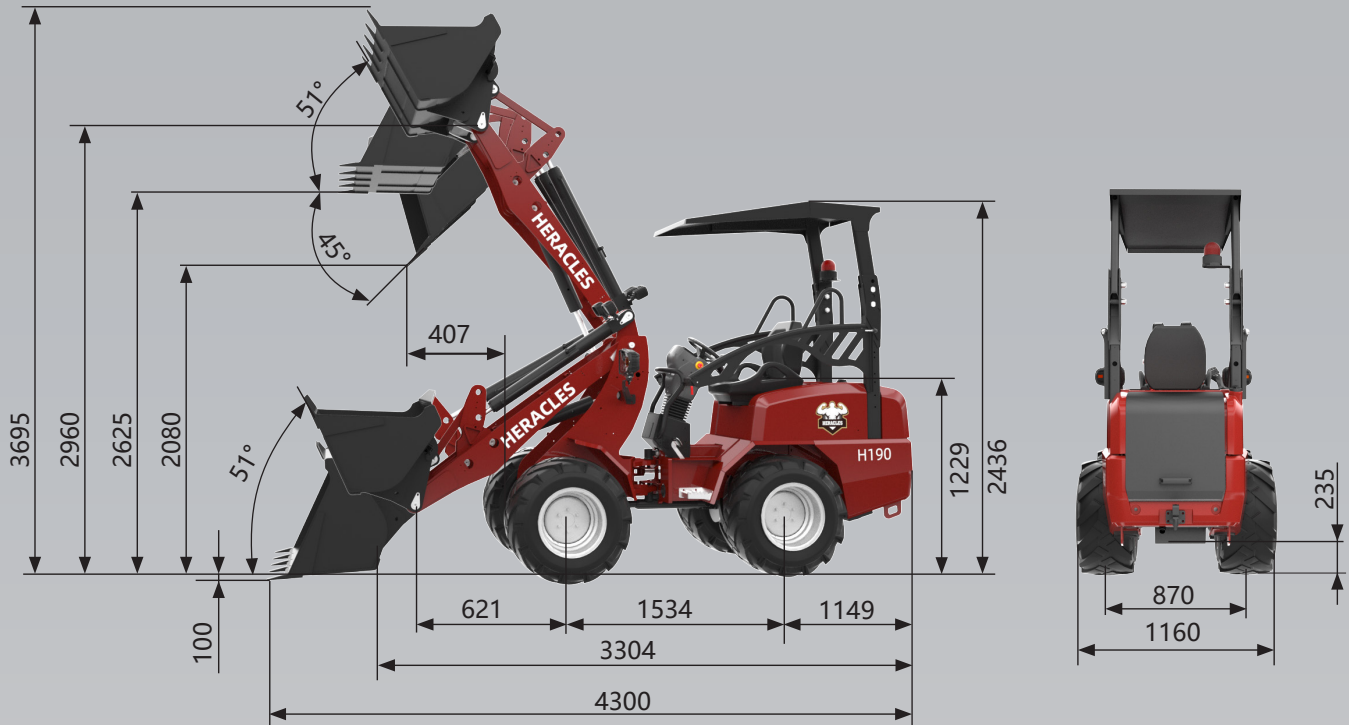
 Max Lifting Capacity	 Engine Power	 Travel Speed	 Hydraulic Flow	 Max Lifting Height
1000 kg	28.2 kw	20 km/h	40 l/min	2.6 m



Technical data	H190		
Engine model	YANMAR 3TNV88-BDTC	YANMAR 3TNV88-BWTY	Kubota D1703-M-DI-E4B-CBH1T
Fuel type	Diesel		
Cylinders	3		
Displacement cc	1640	1642	1647
Emission standards	China Off-Road GB3	EU Stage V	EU Stage V&EPA Tier 4 Final
Max engine output kW	28.2@3000rpm	18.4@2000rpm	18.2@2200rpm
Max engine torque Nm	107.7@1800rpm	107.1@1200rpm	96@1500rpm
Cooling system	Water		
Operating voltage V	12		
Battery Ah	70		
Operating weight kg	2000		
Tipping load ,max kg	1300		
Lifting capacity,max kg	1000		
Operator's cab	Canopy		
Travel speed km/h	0~20		
Steering angle °	45		
Turn radius inside/outside mm	1282/2790		
Standard tires	10.0/75-15.3		
Fuel tank capacity l	30		
Hydraulic oil tank capacity l	30		
Working hydraulic flow l/min	40		
Working hydraulic pressure bar	200		
Transmission type	Hydrostatic		

H190

Dimensions/mm



Tires size	Height	Width
10.0/75-15.3	2513	1160
400/60-15.5		1340

<p>S 1450 kg</p> <p>T 1250 kg</p> <p>U 950 kg</p> <p>V 745 kg</p> <p>W 2000 kg</p> <p>X 1270 kg</p> <p>Y 1000 kg</p>		
--	--	--

Products will continue to be optimized, so the technical data on this page may not be updated in real time.
 For more information at: www.heracles.eu
 Or contact us (contact information is on the back cover).